

VICHIDA
BRIGHTLY EVERYWHERE

OVS2003
SLIM 50W RECESSED FLOOD LIGHT



We are committed to provide high performance,high quality,high durability product as a reasonable price that lighting experts wanted,We aim for world best in outdoorlighting and specific object lighting

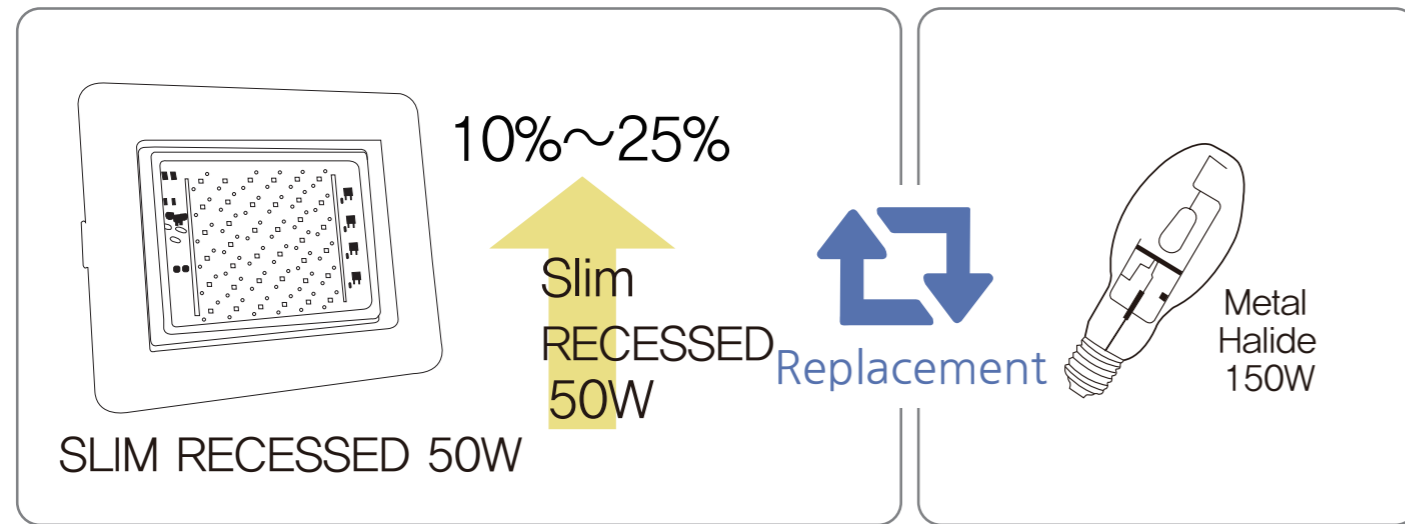


OVS2003
SLIM 50W
RECESSED
FLOOD LIGHT



01. SUBSTITUTION FOR METAL HALIDE

- Possible to replacement with metal halide 150W
- 10%~25% brightness up



02. PERFECT WATERPROOF

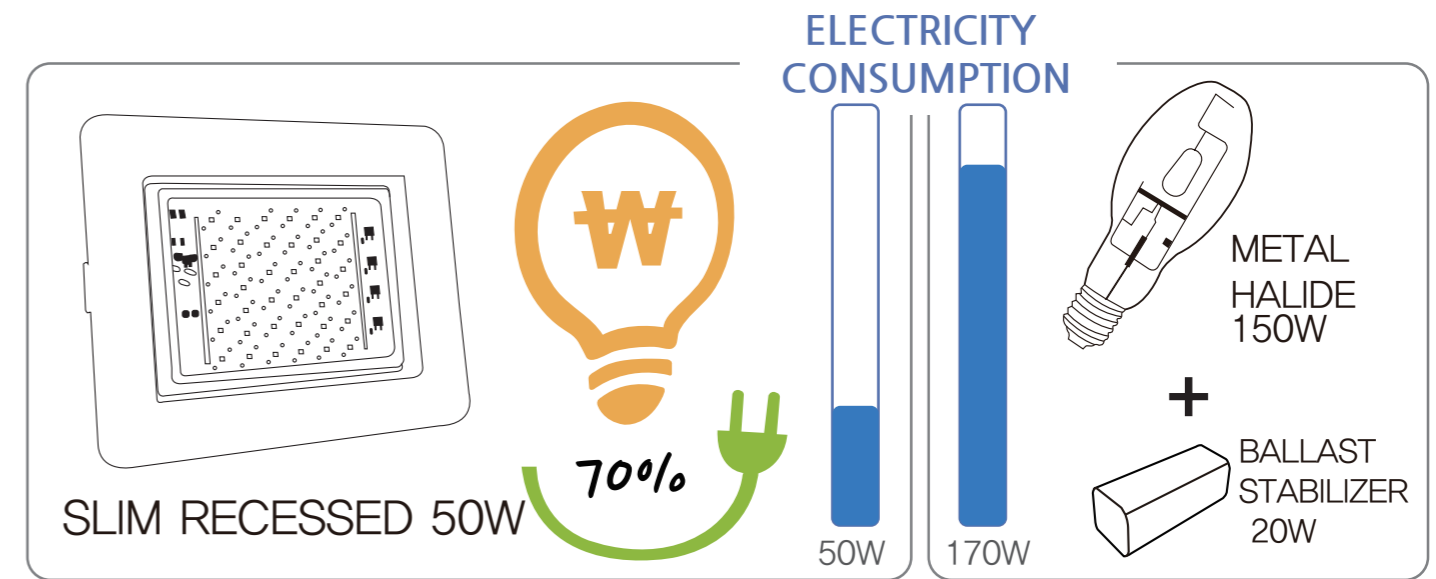
- IP67
- Related patent
- Moisture proof, micro dust proof, frozen proof



IP TEST REPORT :http://www.egmtech.kr/?pageid=3&page_id=1380&uid=100&mod=document

03. SAVING ELECTRICITY COST

- 60%~70% electricity cost reduction
- Energy saving



04. SLIM APPEARANCE & HIGH DURABILITY

- Indoor location possible structure.
- 3m drop test
- Constant-current system

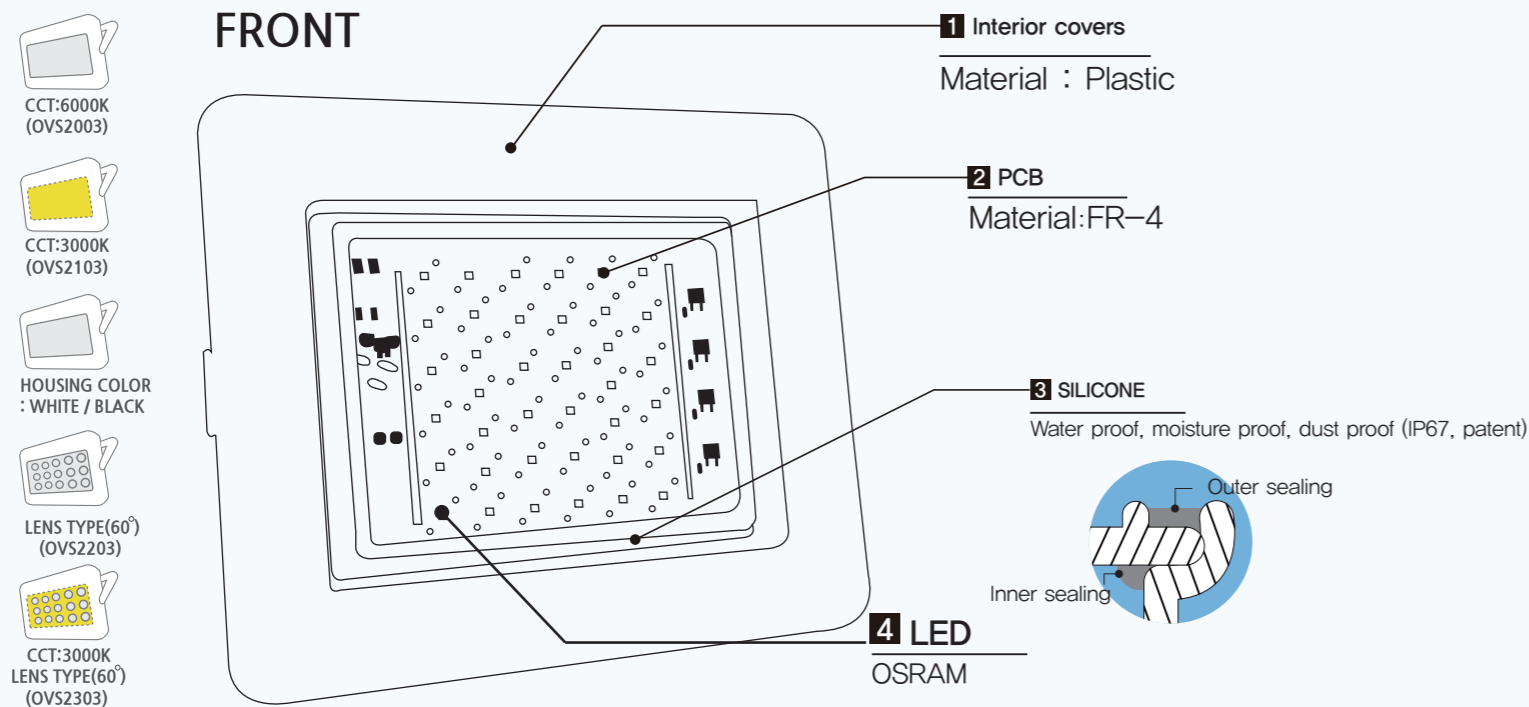


DURABILITY & ELECTRICAL SAFETY TEST VIDEO
: http://www.egmtech.kr/?page_id=1350&uid=17&mod=document

Specifications

TOTAL FLUX	ILLUMINANCE (1M)	CRI	CCT
3,683(lm)	1,300(lux)	OVER 75	6000K

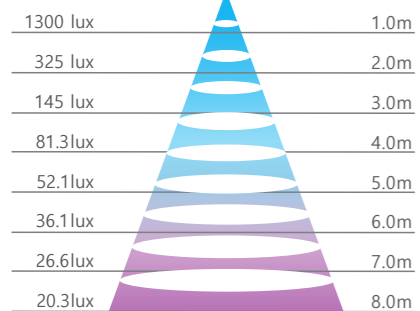
IP LEVEL	WEIGHT	OPERATING TEMPERATURE	POWER CONSUMPTION	INPUT VOLTAGE	POWER FACTOR
IP67	1 Kg	-50~55°C	50W	AC220V (210V~270V)	OVER 0.9



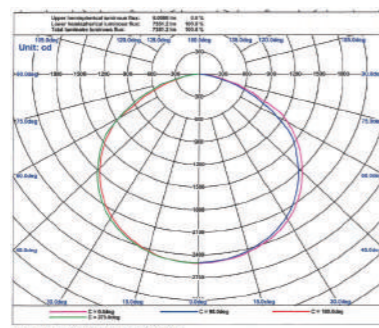
- CCT:6000K (OVS2003)
- CCT:3000K (OVS2103)
- HOUSING COLOR : WHITE / BLACK
- LENS TYPE(60°) (OVS2203)
- CCT:3000K LENS TYPE(60°) (OVS2303)

Light Distribution & Cone Lux Levels

Total flux : 3683(lm)
Illuminance : 1300(lux/1m)

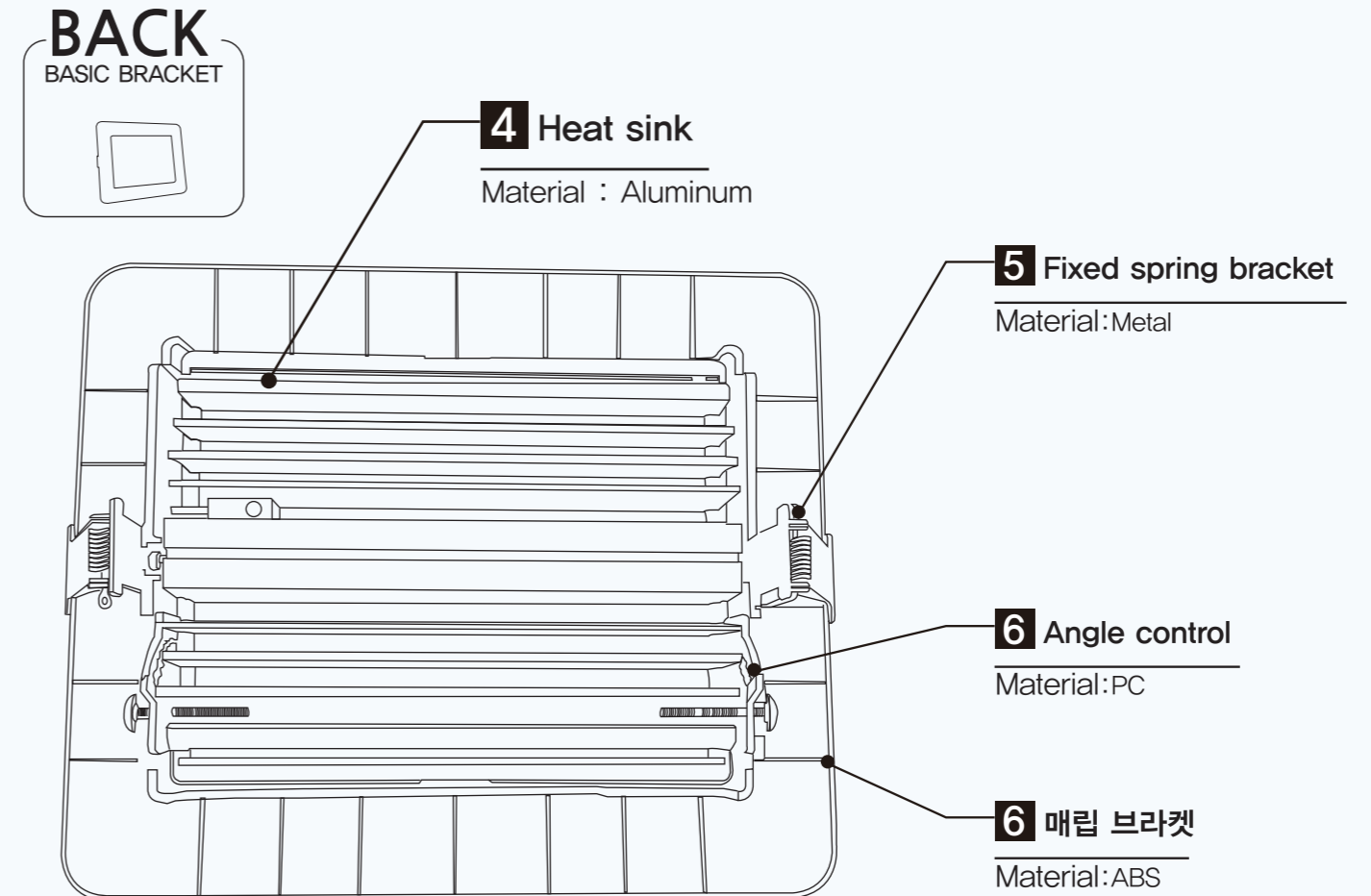
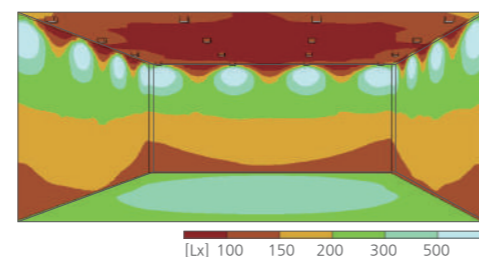


Beam angle : 120°



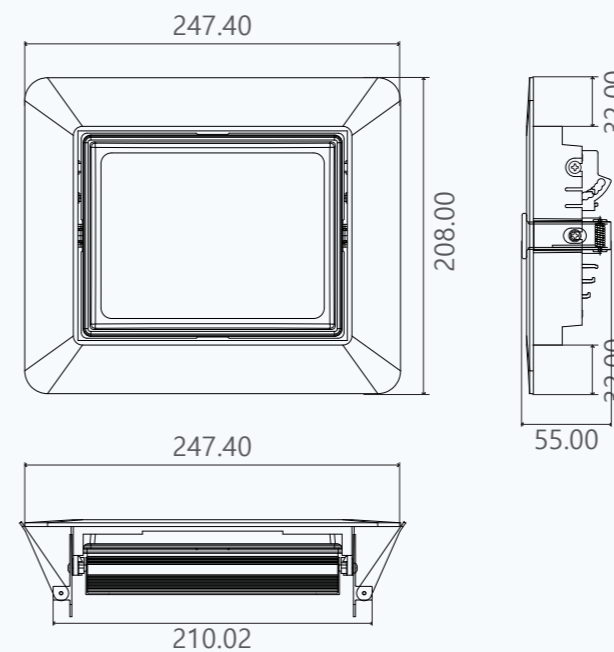
INSTALLATION SIMULATION

Model:OVS2000 Amount:16EA
WidthXheight:9X9
Install height:5M
Averge illumination:340lx
IES file:<http://me2.do/xm8t8Awj>

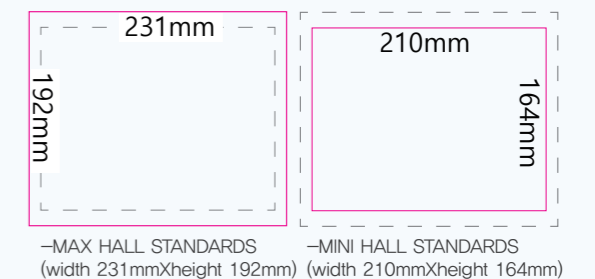


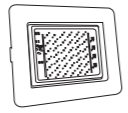
Dimension

※ 247.4X208X55



MAX MINI Hall standards

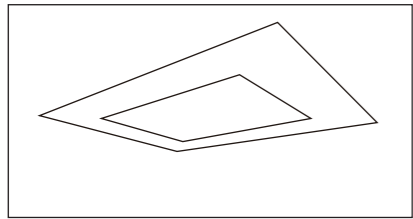


1. 직부 설치	Composition	A-1.50w slim recessed flood light
	Image	
	Order code	SFE001

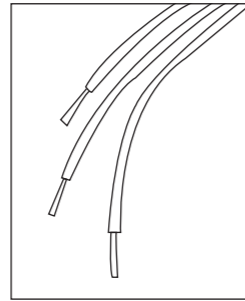
Setting up of the detailed way

A. Recessed type

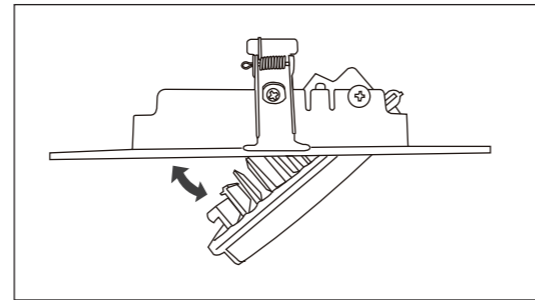
① To cut to size cutting size



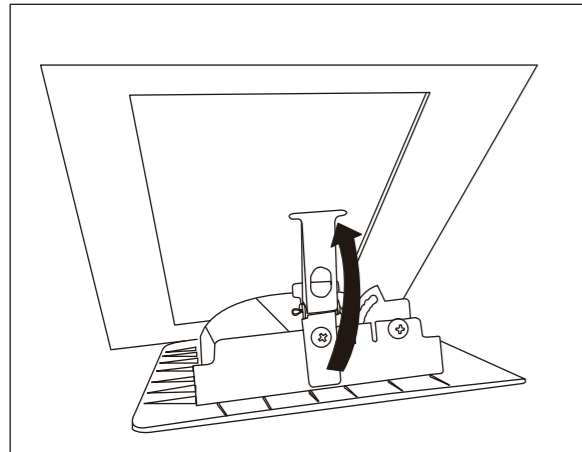
② Wire work (L,N,Grounding)



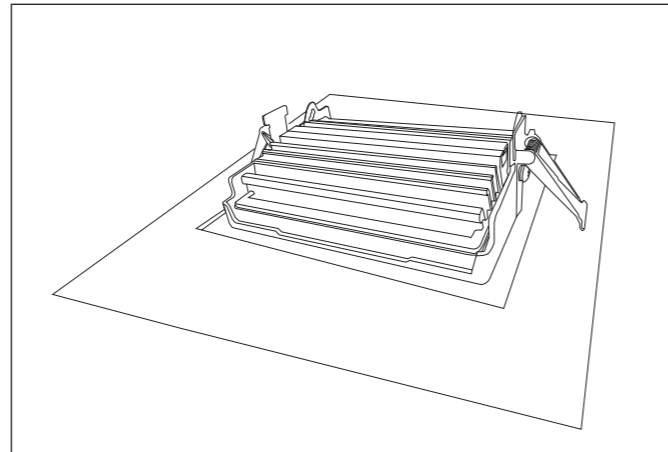
③ Angle control check (Angle is tilted only one way)
Max:30 degrees



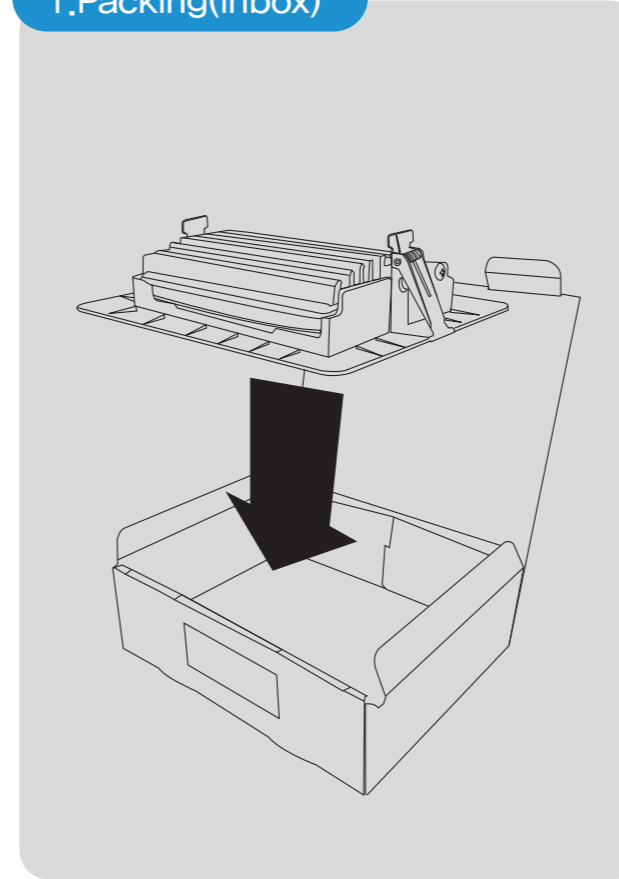
④ Open oneway direction fixed bracket after installation



⑤ installed (To see the inside when installed)

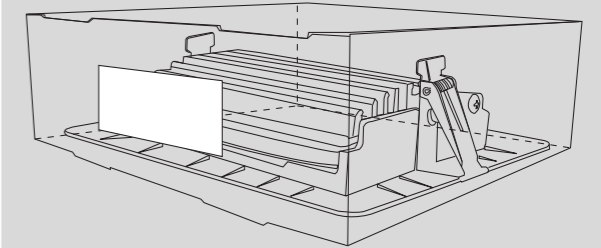


1. Packing(Inbox)



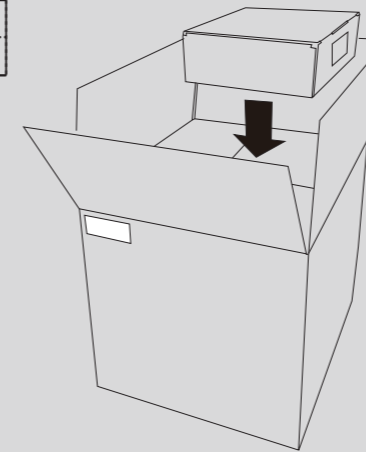
2. Inbox size

● BOX SIZE: 150(l)X125(w)X125(h)



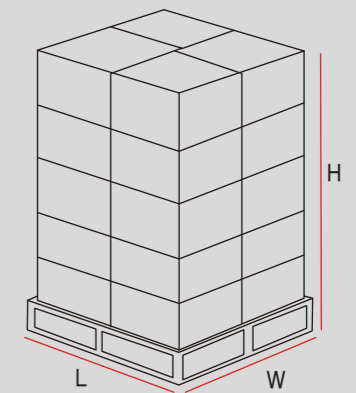
3. Out box size

- BOX SIZE: 540(l)X450(w)X450(h)
- Box material: Corrugated fiber




4. Pallette loading

- Pallette size: 1100(l)X1100(w)X2220(h)
- Pallette material: Plastic



접수번호(Order No.) : EKC2015-4157



전기용품 안전 인증서

Electrical Appliances Safety Certificate

안전인증번호 : JL11032-15002
(Certificate No.)

제조업자명 : 주식회사 이지엠테크
(Manufacturer)

대표자명 : 김승훈
(President)

제조공장의소재지 : 경상북도 구미시 1공단로2길 13 (공단동)
(Factory Address)

제품명 : 투광조명기구
(Product) (Luminaires for floodlights)

기본모델명 : SF001
(Basic Model)


정격 : 220 V~, 60 Hz, 50 W (LED 1.2 W × 38 EA)
(Rating)

파생모델명 : SF002
(Series Model)

적용기준 : KC60598-1(2014-09), KC60598-2-5(2014-09)
(Standard)

『전기용품안전관리법 시행규칙』 제6조 제2항의 규정에 따라 위의 전기용품에 대하여 안전인증서를 발급합니다.
We Issue Electrical Appliances Safety Certification as above product by Article 6 Section 2 of the Electrical Appliances Safety Control Enforcement Regulation.

2015년 08월 17일
year month day



KTR 한국화학융합시험연구원장
KOREA TESTING & RESEARCH INSTITUTE

※ 이 인증서는 『전기용품안전관리법』에 따른 전기용품안전성 확인에 한정된 것이며 그 밖의 다른 법률이 적용되는 제품의 경우에는 해당법률에 따라 추가로 인증·허가 등을 받아야 합니다.


첨부서류 (Annex)

1. 안전관리부품 및 재질목록(List of Critical components)
2. 기본모델·파생모델의 내용(General Descriptions of Certified Products)

※ 안전인증 시의 조건 : 동 제품의 생산 시 자체검사를 실시하고 안전인증 시 등록된 부품누락 및 임의 변경하지 말 것.



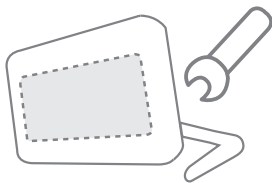
24E8-17AA-13CG-AE1A

방송통신기자재등의 적합등록 필증	
Registration of Broadcasting and Communication Equipments	
상호 또는 성명 <i>Trade Name or Registrant</i>	주식회사 이지엠테크
기자재 명칭 <i>Equipment Name</i>	투광조명기구
기본모델명 <i>Basic Model Number</i>	SF001
파생모델명 <i>Series Model Number</i>	SF002, SF102, SF101
등록번호 <i>Registration No.</i>	MSIP-REM-eGM-SF001
제조사/제조(조립)국가 <i>Manufacturer/Country of Origin</i>	주식회사 이지엠테크 / 한국
등록연월일 <i>Date of Registration</i>	2015-06-11
기타 <i>Others</i>	
<p>위 기자재는 「전파법」 제58조의2 제3항에 따라 등록되었음을 증명합니다. It is verified that foregoing equipment has been registered under the Clause 3, Article 58-2 of Radio Waves Act.</p> <p style="text-align: right;">2015년(Year) 06월(Month) 11일(Date)</p> <p style="text-align: center;">국립전파연구원장 </p> <p style="text-align: center;"><i>Director General of National Radio Research Agency</i></p> <p>※ 적합등록 방송통신기자재는 반드시 "적합성평가표시"를 부착하여 유통하여야 합니다. 위반시 과태료 처분 및 등록이 취소될 수 있습니다.</p>	



Caution

Notice for using products



-Do not remodel or disassemble the product arbitrarily.
(You can not get A/S when arbitrarily)



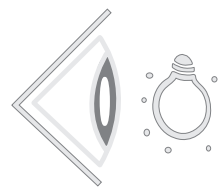
-Please be sure to install in where circuit breaker is installed.



-Please be sure to install at power off.

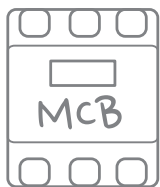


-Do not touch the product during the light on for a long time.



-Please do not look light directly when light on.

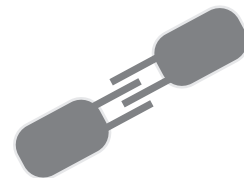
Checklist for product problem



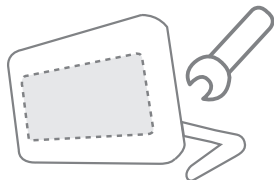
-If LED doesn't light on, please check the power circuit breaker.



-Make sure the power switch is set to ON.



-If the product does not light up after power on, please check the power cable contact status.



-When the product have problem, do not disassemble the product arbitrarily, and ask to store which you bought.
(You can not get A/S when arbitrarily disassemble)



If product has trouble caused by natural disaster like thunderbolt or surge, you can not get free A/S.
(It need cost for A/S)